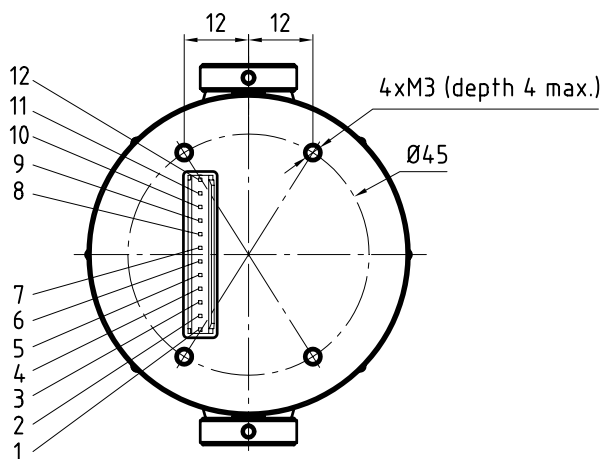
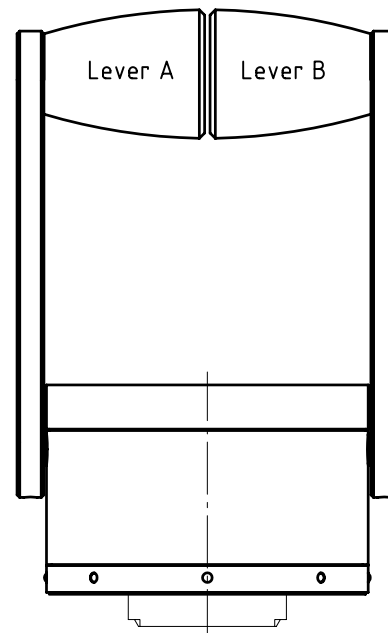
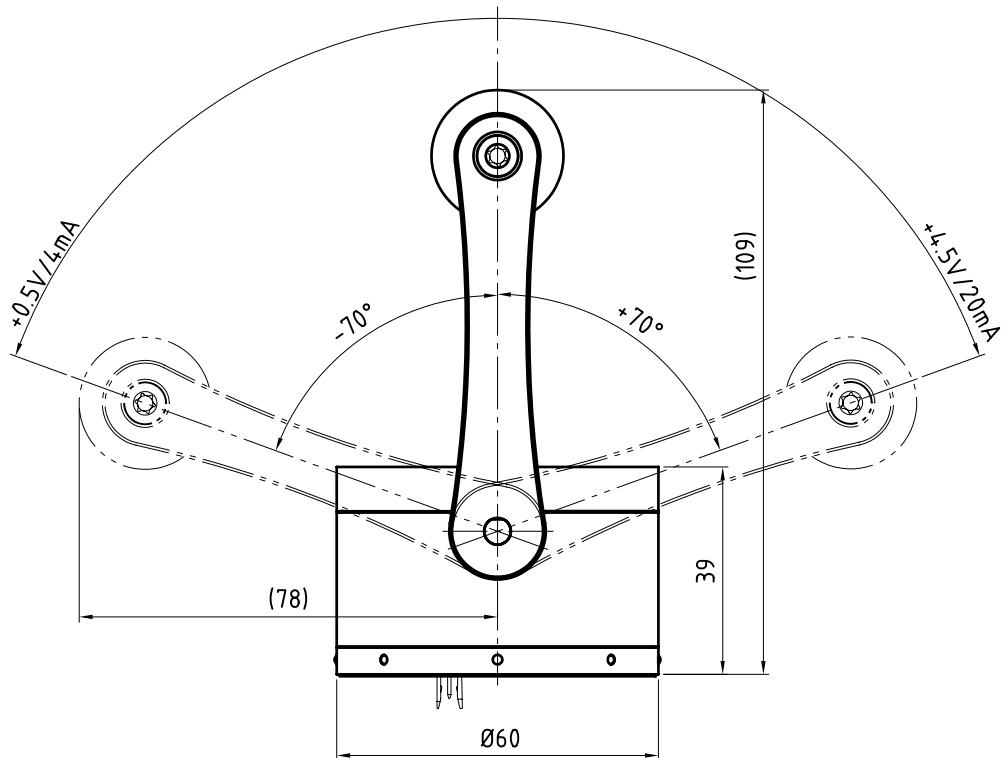
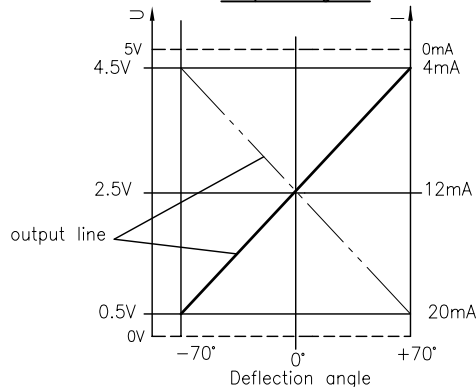


Neutral point (+2.5V/12mA)



Output diagram



Description		
Marine controller type BS 140-002		
Operation by	Dual lever command, independant control of lever A and B	
Deflection angle	2x70°	
Neutral position	Non-locking, snap-in point	
Connector DUBOX Walled Header	12-poles 76384-312	
Mating connector DUBOX Housing	12-poles 65240-012	
Special	LED illumination, dimmable	
Pin assignment		
1	brown	Input Handle A, 10 ... 60 V DC
2	blue	Ground Handle A, (0V)
3	brown	Input Handle B, 10 ... 60 V DC
4	blue	Ground Handle B, (0V) / Ext. 100kOhm potentiometer (-)
5	orange	Wiper signal for external potentiometer
6	yellow	Output Handle B (U) (-70°=0.5V/0°=2.5V/+70°=4.5V)
7	white	Output Handle A (U) (-70°=0.5V/0°=2.5V/+70°=4.5V)
8	red	Do not use
9	grey	Output Handle B (I) (-70°=4mA/0°=12mA/+70°=20mA)
10	green	Output Handle A (I) (-70°=4mA/0°=12mA/+70°=20mA)
11	violet	External 100kOhm potentiometer (+)
12	red	Do not use

Version	Housing	Cover inscription	Lever	Handle
140-002.01	Signal grey RAL 7004	-	Signal grey RAL 7004	POM
140-002.02	Black	-	Chromed	POM
140-002.03				

		Oberfläche	Maßstab 1:1	Position	Menge
		Datum	Name	Propulsion control unit	
		Bearb. 07.12.10	Kiener M.		
		Gepr.			
		Norm			
d	Binbelegung korrigiert	24.10.13	MK	140-002d	
c	Div. Änderungen	15.06.11	MK		
b	Elect. Änderungen	07.12.10	MK		
a	Div. Änderungen		MK		
Zust.	Änderungen	Datum	Name		
			GENGE & THOMA AG <small>OH-2543 Lengnau/Bludenz</small>		Blatt
			Dateiname: E:\DW\BS140V\140-002d.dwg		Bl